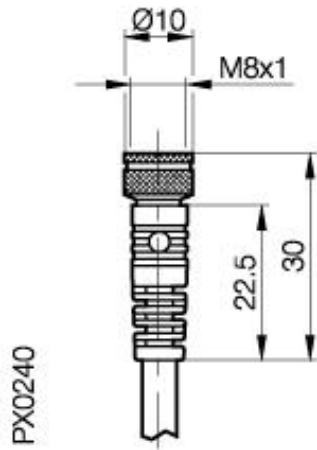


## Accessories: Connectors BKS-S 74-3-PU-



### Common Data

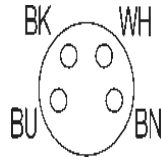
Version	Connector, straight, 4-pin
Usable with	on Sensors with connection S75 (DC, M8)
Manufacturer	Lumberg
Ambient temperature	-25°C...+80°C
Function display	no
Supply voltage display	no

### Mechanical Data

Measurements WxHxD or Dia x D	30xØ10
Material	Housing PUR
Protection class per IEC 60529	IP67
Cable version	fully potted, Li9YH-11YH
Conductor cross section	4 x 0,25mm <sup>2</sup>

### Electrical Data

Supply voltage	60VAC/75VDC
----------------	-------------



Datasheet number::

Definitions see general catalog.  
If not otherwise noted, ratings according to  
IEC 60947-5-2 (DIN EN60947-5-2)

Balluff GmbH  
Schurwaldstrasse 9  
73765 Neuhausen a.d.F.  
Phone (07158) 173-0 Fax (07158) 5010

Datenblatt by CD-ROM - 04/2007

**BALLUFF**  
sensors worldwide